

Combining high-speed data transfer rates with record-breaking access times to provide a superior user experience and improved application performance.

- Delivers up to 470 MB/s and 35,000 IOPS
- Access latency as low as 0.06ms
- Boot time reduction for 'instant-on' experience
- Advanced technology to maximize endurance

High Performance SSD Architecture

- SATA 6Gbps interface unleashes the full potential of today's leading platforms
- Indilinx Infused; based on Everest Platform
- Proprietary page mapping algorithms for superior performance across all file sizes and mixed workloads
- Faster performance with compressed data
 - MP3, JPG, RAW, PSD, OS X software, etc.
- Innovative latency reduction technology
- Strong performance at low queue depths (QD 1 – 3)



Enhanced Performance & Endurance over the Long Term

- Proprietary NDurance™ Technology to increase NAND lifespan
- Sustained performance; remains close to "fresh-out-of-the-box" performance

High Performance Storage with Advanced Feature Set Combining high-speed data transfer rates with record-breaking access times, OCZ Octane SSDs are designed to provide a superior user experience and improved application performance. Octane leverages the cutting-edge Indilinx Everest platform and is optimized for the complete spectrum of file types and sizes, with proprietary page mapping algorithms mirroring real world conditions across a wide range of applications. The Octane series also includes advanced features unique to Indilinx, including latency reduction technology to enhance system responsiveness and enable instant-on boot-ups, and proprietary NDurance™ technology to increase the lifespan of the NAND flash memory and minimize performance degradation. In addition, Octane drives support AES and automatic encryption to secure critical data, bringing unique enterprise features within the reach of enthusiasts. Octane SSDs also deliver the energy efficiency, durability, and reliability that traditional hard drives cannot provide.

Performance	128GB	256GB	512GB	1TB
Max Read ¹	up to 470 MB/s	up to 480 MB/s	up to 480 MB/s	up to 460 MB/s
Max Write ²	up to 210 MB/s	up to 310 MB/s	up to 330 MB/s	up to 330 MB/s
Max 4KB Random Read ³	35,000 IOPS	35,000 IOPS	35,000 IOPS	32,000 IOPS
Max 4KB Random Write ³	18,000 IOPS	25,000 IOPS	26,000 IOPS	24,000 IOPS

Current specs reflect update to firmware v1.13

¹ Maximum sequential speeds are determined using ATTO,
² Maximum Write Speeds are determined using Crystal Disk Mark
³ Small file I/O performance is measured using Crystal Disk Mark, QD32



OCZ Octane Solid State Drive Series

Designed to Fuel 'Instant On' Access and a Cutting-Edge Computing Experience

SPECIFICATIONS

Physical	
Usable Capacities (IDEMA)	128GB, 256GB, 512GB, 1TB
NAND Components	2Xnm Synchronous Multi-Level Cell (MLC)
Interface	SATA III / 6Gbps (backwards compatible with SATA II / 3Gbps)
Form Factor	2.5 Inch
NAND Controller	Indilinx Everest
DRAM Cache	Up to 512MB
Dimensions (L x W x H)	99.8 x 69.63 x 9.3 mm
Weight	83g (may vary slightly due to capacity)

Reliability/Protection/Security	
MTBF	1.25 million hours
Data Path Protection	BCH ECC corrects up to 78 random bits/1KB
Data Encryption	256-bit AES-compliant, ATA Security Mode Features
Product Health Monitoring	Self-Monitoring, Analysis and Reporting Technology (SMART) Support
Flash Endurance Management	Indilinx NDurance™ Technology

Environmental	128GB – 512GB	1TB
Power Consumption	Idle: 1.15 W Active: 1.98 W	Idle: 1.16 W Active: 2.65 W
Operating Temperature	0°C ~ 70°C	0°C ~ 70°C
Ambient Temperature	0°C ~ 55°C	0°C ~ 55°C
Storage Temperature	-45°C ~ 85°C	-45°C ~ 85°C
Shock Resistance	1500G	1500G
Certifications	RoHS, CE, FCC, C-Tick, VCCI, BSMI	RoHS, CE, FCC, C-Tick, VCCI, BSMI

Compatibility	
Serial ATA (SATA)	Fully compliant with Serial ATA International Organization: Serial ATA Revision 3.0. Fully compliant with ATA/ATAPI-8 Standard Native Command Queuing (NCQ)
Operating System	Windows XP 32-bit /64-bit; Windows Vista 32-bit / 64-bit; Windows 7 32-bit / 64-bit; Linux; Mac OS X
Power Requirements	Standard SATA Power Connector

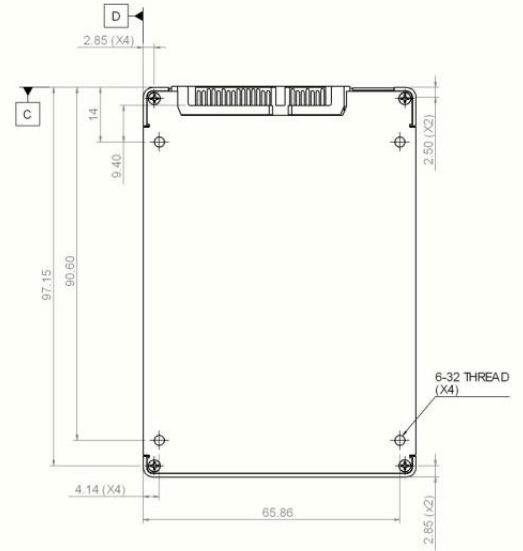
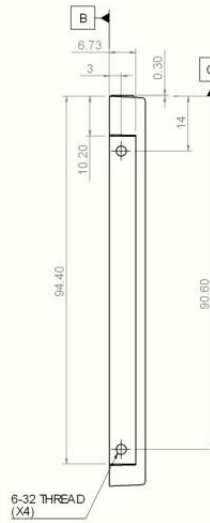
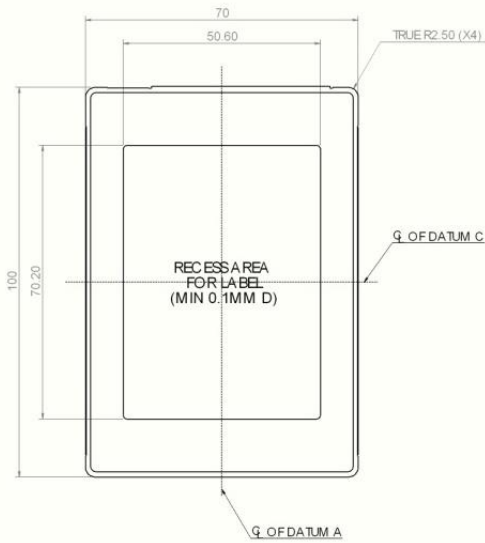
Additional Features	
Performance Optimization	TRIM (requires OS support), dynamic and static wear-leveling, background garbage collection, boot time reduction optimization
Other Performance Features	Industry-low latency: Read: 0.06ms; Write: 0.09ms, strong performance at lower queue depths (QD1-QD3), optimized for 4K to 16K compressed files
Service & Support	3-Year Warranty, Toll-Free Tech Support, 24 Hour Forum Support



OCZ Octane Solid State Drive Series

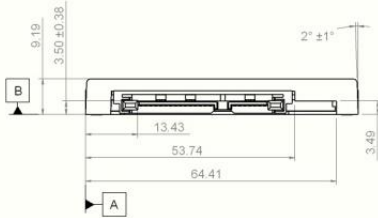
Designed to Fuel 'Instant On' Access and a Cutting-Edge Computing Experience

MECHANICAL SPECIFICATIONS



NOTE:

1. THIS DRAWING MUST BE USED TO IDENTIFY CRITICAL DIMENSIONS, TOLERANCES AND REFERENCE.
2. INTERPRET DIMENSION AND TOLERANCE PER ANSI 14.5M-1994
3. UNLESS OTHERWISE SEPCIFIED: DIMENSIONS ARE IN MILLIMETERS



PACKAGING SPECIFICATIONS

Dimensions (L x W x H) 190.5mm x 114.3mm x 19.05mm

Weight 120g

ORDERING INFORMATION

PRODUCT	IDEMA CAPACITY	PART NUMBER	UPC
Octane 2.5" SSD	128GB	OCT1-25SAT3-128G	842024029182
Octane 2.5" SSD	256GB	OCT1-25SAT3-256G	842024029199
Octane 2.5" SSD	512GB	OCT1-25SAT3-512G	842024029205
Octane 2.5" SSD	1TB	OCT1-25SAT3-1T	842024029595

